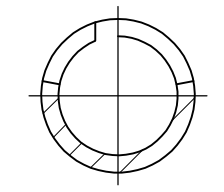
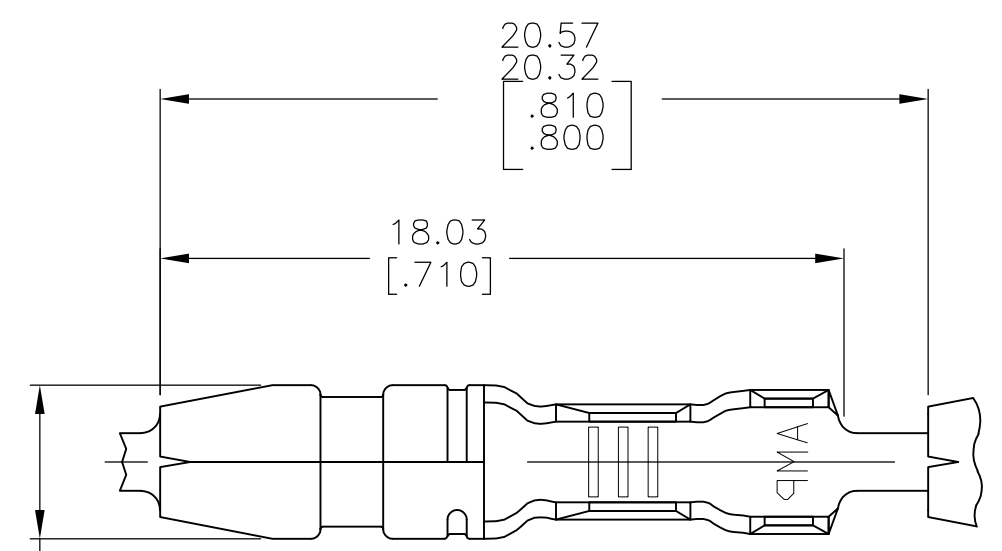
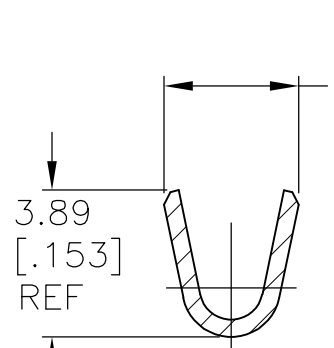
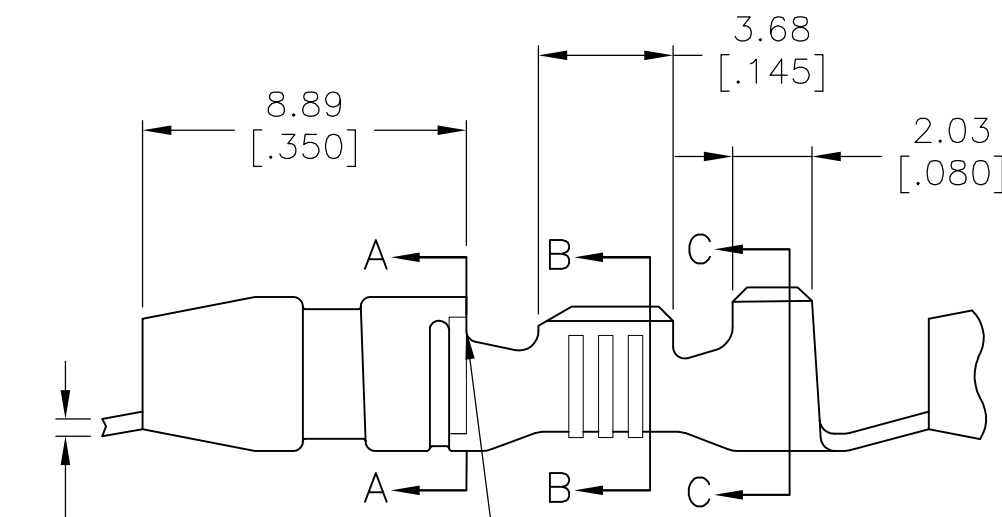


THIS DRAWING IS UNPUBLISHED. RELEASED FOR PUBLICATION
 © COPYRIGHT BY TYCO ELECTRONICS CORPORATION. ALL RIGHTS RESERVED.

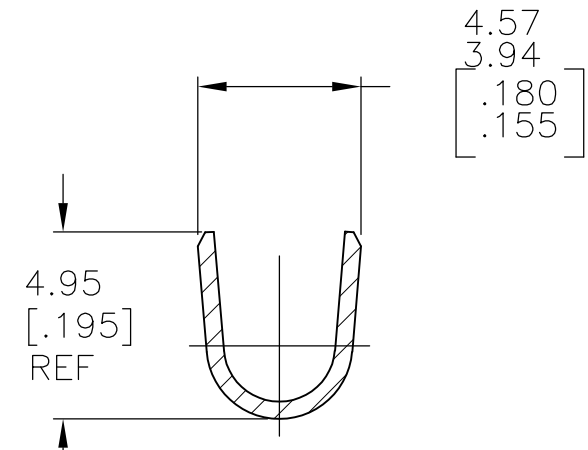
LOC	DIST	REVISIONS			
P	LTR	DESCRIPTION	DATE	DWN	APVD
AF	50	J1	ECR-07-026634 (REDRAWN IN AUTOCAD)	05NOV07	HMR DD



SECTION A-A



SECTION B-B



SECTION C-C

CLOSED FOR MOLDING PURPOSE

- 1 CONTINUOUS STRIP ON REELS.
- 2 0.00508[.000200] MIN SILVER OVER 0.00254[.000100] MIN COPPER UNDERPLATE OR 0.00127[.000050] MIN NICKEL UNDERPLATE.
- 3 WIRE RANGE: 18-14 AWG
- 4 INSULATION RANGE: 2.16-3.18 [.085-.125] DIA.

2	082 BRASS	60766-4
PRE-TIN	081 BRASS	60766-2
NONE	082 BRASS	60766-1
FINISH	MATERIAL	PART NO

THIS DRAWING IS A CONTROLLED DOCUMENT.		DWN RAGHAVENDRA 05NOV2007	Tyco Electronics Corporation Harrisburg, PA 17105-3608	
DIMENSIONS: mm [INCHES]	TOLERANCES UNLESS OTHERWISE SPECIFIED:	CHK D DECKER 05NOV2007	NAME SHUR PLUG 3.96[.156] DIA	
	0 PLC ± -	APVD D DECKER 05NOV2007	PRODUCT SPEC -	
	1 PLC ± -		APPLICATION SPEC -	
	2 PLC ± 0.38 [.015]		SIZE A3	CAGE CODE 00779
	3 PLC ± -		DRAWING NO C-60766	RESTRICTED TO -
	4 PLC ± -			
	ANGLES ± 1°			
MATERIAL SEE TABLE	FINISH SEE TABLE	WEIGHT -	CUSTOMER DRAWING	
		SCALE 5:1	SHEET 1 OF 1	REV J1